

ELECTRIC ACTUATORS

General Features

REA 40 and REA60 Electric Actuators Standard Features:

- Specially designed for quarter turn operating applications such as Ball, Butterfly, Plug valves, Dampers and similar usages.
- Its variation in wide range of output of torque control options fit your specific requirement.
- High grade aluminum alloy for housing provides compact and low weight
- High corrosion resistance due to hard anodizing on inside & outside and polyester coating on external surface.
- Various output torque from 40 Nm to 60 Nm
- Rugged construction with o-ring system supplying water and explosion proof.
- Easy mounting base standard to ISO 5211 (F03/F05/F07)
- Handwheel for manual operation.
- Standard 4 limit switches (except REA80/REA100).
- Space heater with thermostat for preventing overheat.
- LED lamps on indicator monitoring valve position and operation (option).
- Long Life - Cycle.

Option Features

- Proportional Control Unit (PCU), for all REA Electric Actuators (except REA 40)
- Position Indication Unit (PIU) for all REA Electric Actuators.
- 220 V AC / 110 V AC: for all REA Electric Actuators.
- 24 V DC / 24 V AC: REA 40, 60, 80, 150, 200, 300 series.
- Duty Cycle: S2: %100 max. 30 min.; S4: %70-%100 300 ... 1600 hours
- Thanks to its battery, system can be controlled like a spring-return.
- REA 80,150, 200, 300 series.
- Local Control Unit: LCU-B Type and LCU-C Type (REA 150 and upper series.)
- Staying under water 72 hour (max. 10 m)



REA 40



REA 60 microsection

On-Off and Proportional Electric Actuator

REA 40 and REA60 Electric Actuator Standard Features:

Standard Features

- | | |
|-----------------------------|--|
| Materials | : Steel, aluminium alloy, al-bronze, polycarbonate. |
| Torque Output | : 40 Nm ... 60Nm |
| Enclosure | : Weatherproof enclosure IP67, NEMA 4 and 6 |
| Travel Angle | : 90° ± 10° (0° ~ 110°) |
| Manuel Override | : Declutching mechanism (open and close) |
| Power Supply | : 220V AC, 1PH (on request 110V AC / 24 VCD), (0,4A ... 0,19A) |
| Motor | : Reversible motor. |
| Limit Switches | : 2 x open / close, SPDT, 250 V AC, 10A rating (on request additional +2 switches) |
| Ambient Temp. | : -20 °C ~ + 70°C (except option electronic board) |
| Cable Connection | : 2 PG 13,5 fittings |
| Flange Connection | : ISO 5211 standard (F03/F05/F07) |
| Open and Close Time | : 12 - 14 seconds. |
| Option Specification | : PCU Proportional control unit (input, output 4~20mA DC) (REA60) |



On-Off Electric Actuator



Proportional Electric Actuator



REA 40



Handwritten notes:
1800
↑

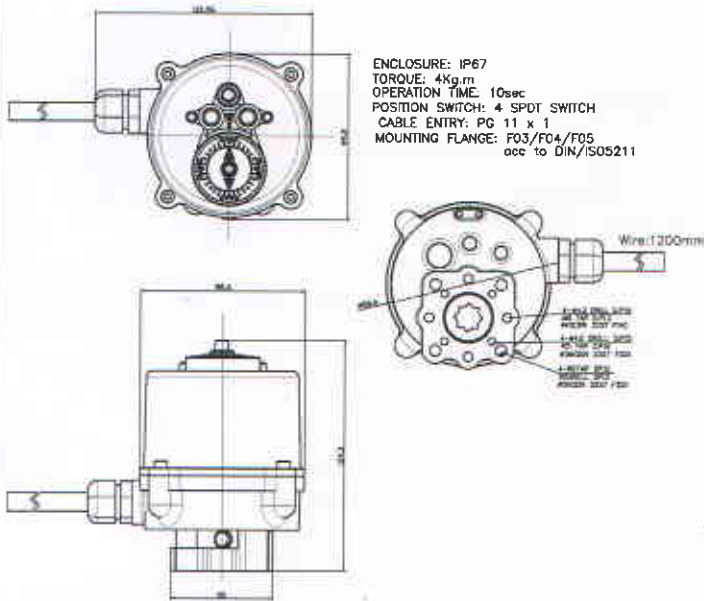
Handwritten note: 220V 700

Handwritten note: 24V 800

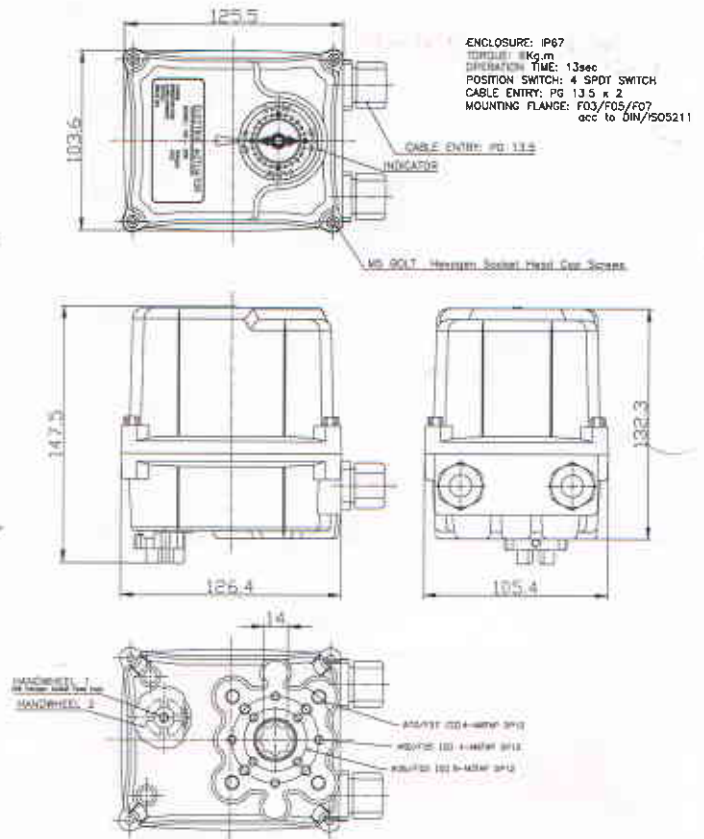
ELECTRIC ACTUATORS

Dimensions

REA 40

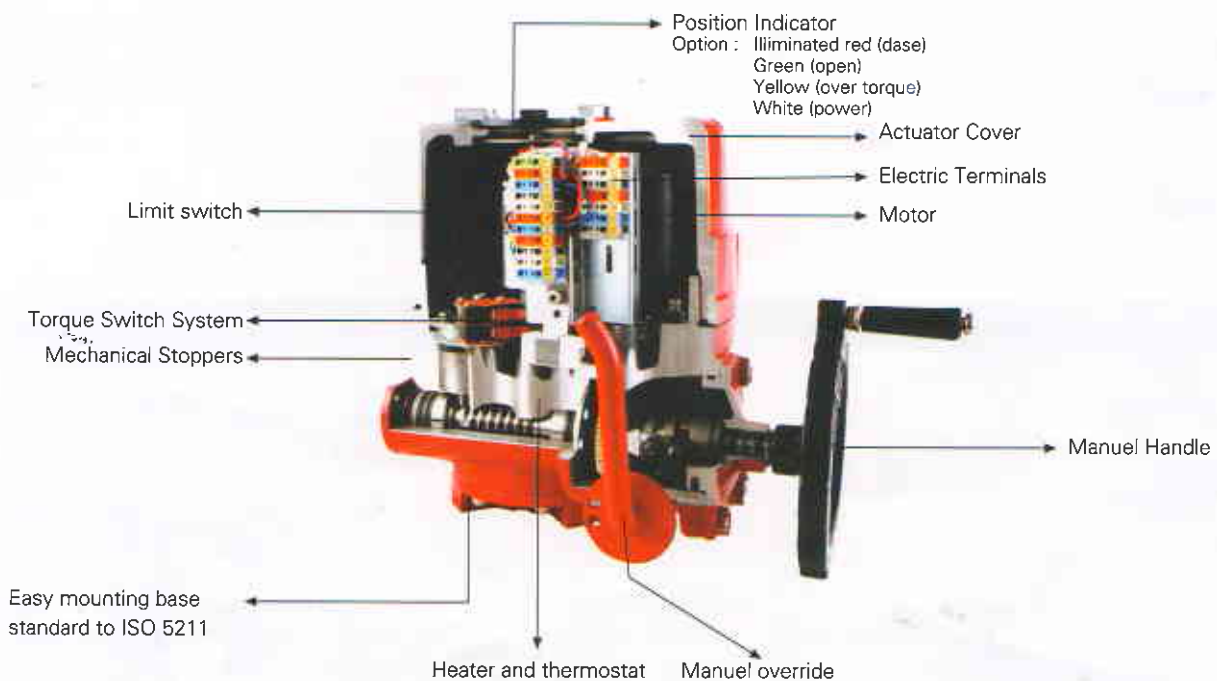


REA 60



REA80 ... REA3000 Series

Construction of the Electric Actuator



ELECTRIC ACTUATORS

On-Off and Proportional Electric Actuator REA 80, REA1200 and REA3000 Electric Actuator Standard Features:

Standard Features

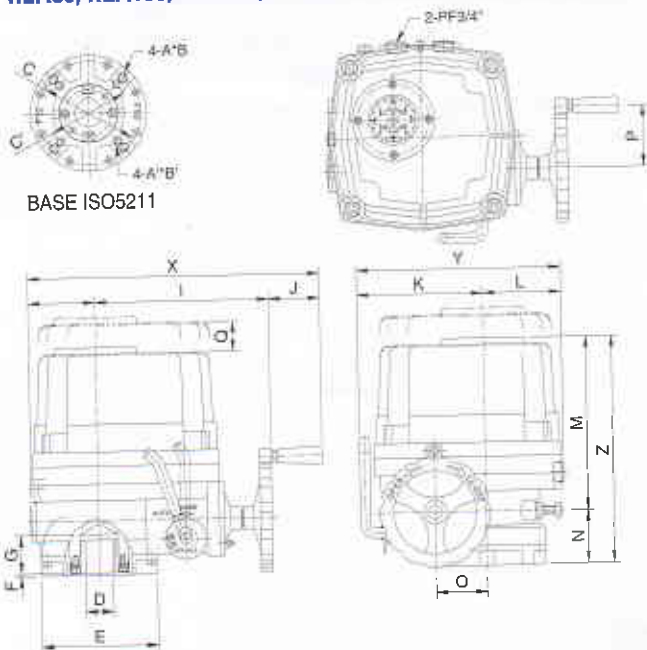
| | |
|---------------------|--|
| Materials | : Steel, aluminium alloy, al-bronze, polycarbonate. |
| Torque Output | : 80 Nm ... 3000Nm |
| Enclosure | : Weatherproof enclosure IP67, NEMA 4 and 6. space heater 7~10W (110/220V AC) anti-condensation. (Optional IP68) |
| Travel Angle | : 90° ± 10° (0° ~ 110°) |
| Manual Override | : Decutching mechanism located outside the body. |
| Power Supply | : 220V AC, 1PH (on request 110/380/ 440V AC three-phase circuit) |
| Motor | : Reversible motor |
| Limit Switches | : 2 x open / close, SPDT, 250 V AC, 10A rating (on request add. +2 switches) |
| Torque Switch | : Open / close, SPDT, 250 V AC, 10A rating(except REA 80/REA100) |
| Indicator | : Continuous position indicator |
| Mechanical Stopper | : 2 x external adjustable screws |
| Ambient Humidity | : 90% RH Max. (non-condensing) |
| Ambient Temp. | : -20 °C ~ + 70°C (except option electronic board) |
| Cable Connection | : 2 PG 13,5 fittings |
| Flange Connection | : ISO 5211 standard (F03/F05/F07) |
| Open and Close Time | : 13 ... 112 seconds (According to model) (50-60 Hz, 90° return) |



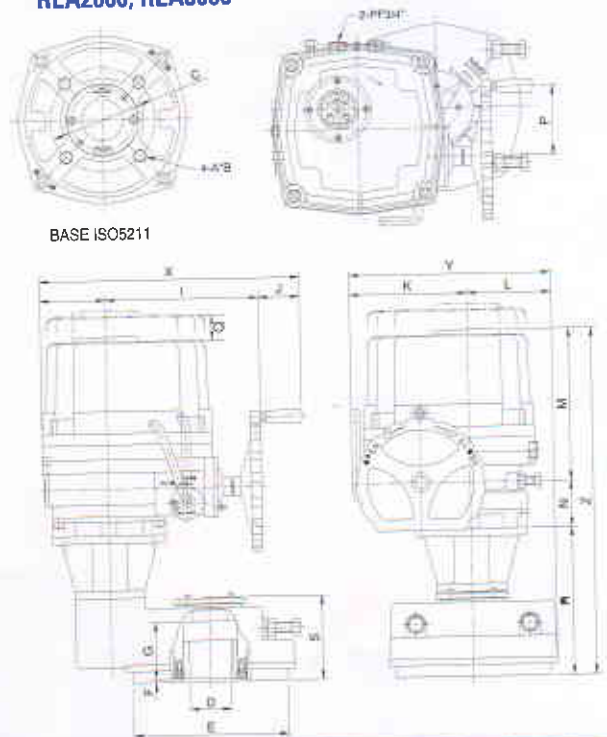
On-Off and Proportional Electric Actuator

Dimensions

REA80, REA150, REA200, REA300, REA 600, REA800, REA1200



REA2000, REA3000



1300
1600

| Model | Base ISO5211 Ø C | A B | D (max) | E | F | G | H | I | J | K | L | M | N | O | P | R | S | X | Y | Z |
|----------|---------------------|------------------|------------|-----|---|-----|-----|-----|----|-----|-----|-----|----|----|-----|-----|-----|-----|-----|-----|
| REA 80 | F07 | M9 | 20 | 88 | 3 | 32 | 50 | 157 | 51 | 100 | 70 | 182 | 53 | 40 | 60 | - | - | 258 | 170 | 235 |
| REA 150 | Ø70 | M9/M10 | 22 | 125 | 3 | 42 | 73 | 200 | 65 | 142 | 87 | 200 | 68 | 54 | 78 | - | - | 338 | 229 | 268 |
| | F07/F10 Ø70/Ø102 | M9/M10 12/15 | 22 | 125 | 3 | 42 | 73 | 200 | 65 | 142 | 87 | 200 | 68 | 54 | 78 | - | - | 338 | 229 | 268 |
| REA 200 | F07/F10 | M9/M10 | 22 | 125 | 3 | 42 | 73 | 200 | 65 | 142 | 87 | 200 | 68 | 54 | 78 | - | - | 338 | 229 | 268 |
| | Ø70/Ø102 | M9/M10 12/15 | 22 | 125 | 3 | 42 | 73 | 200 | 65 | 142 | 87 | 200 | 68 | 54 | 78 | - | - | 338 | 229 | 268 |
| REA 300 | F10/F12 | M10/M12 | 35 | 148 | 3 | 49 | 82 | 221 | 65 | 160 | 99 | 221 | 69 | 65 | 78 | - | - | 368 | 259 | 290 |
| | Ø102/Ø125 | M10/M12 15/18 | 35 | 148 | 3 | 49 | 82 | 221 | 65 | 160 | 99 | 221 | 69 | 65 | 78 | - | - | 368 | 259 | 290 |
| REA 600 | F10/F12 | M12/M16 | 35 | 148 | 3 | 49 | 82 | 221 | 65 | 160 | 99 | 235 | 69 | 65 | 78 | - | - | 368 | 259 | 304 |
| | Ø102/Ø125 | M12/M16 15/18 | 35 | 148 | 3 | 49 | 82 | 221 | 65 | 160 | 99 | 235 | 69 | 65 | 78 | - | - | 368 | 259 | 304 |
| REA 800 | F12/F14 | M12/M16 | 45 | 178 | 3 | 57 | 103 | 242 | 65 | 186 | 111 | 256 | 74 | 78 | 110 | - | - | 410 | 297 | 330 |
| | Ø125/Ø140 | M12/M16 18/24 | 45 | 178 | 3 | 57 | 103 | 242 | 65 | 186 | 111 | 256 | 74 | 78 | 110 | - | - | 410 | 297 | 330 |
| REA 1200 | F12/F14 | M12/M16 | 45 | 178 | 3 | 57 | 103 | 242 | 65 | 186 | 111 | 256 | 74 | 78 | 110 | - | - | 410 | 297 | 330 |
| | Ø125/Ø140 | M12/M16 18/24 | 45 | 178 | 3 | 57 | 103 | 242 | 65 | 186 | 111 | 256 | 74 | 78 | 110 | - | - | 410 | 297 | 330 |
| REA 2000 | F14/F16 | M16/M20 | 65 | 245 | 5 | 245 | 103 | 242 | 65 | 186 | 133 | 256 | 74 | 78 | 110 | 233 | 133 | 410 | 319 | 583 |
| | Ø140/Ø165 | M16/M20 24/30 | 65 | 245 | 5 | 245 | 103 | 242 | 65 | 186 | 133 | 256 | 74 | 78 | 110 | 233 | 133 | 410 | 319 | 583 |
| REA 3000 | F14/F16 | M16/M20 | 65 | 245 | 5 | 90 | 103 | 242 | 65 | 186 | 133 | 256 | 74 | 78 | 110 | 233 | 133 | 410 | 319 | 563 |
| | Ø140/Ø165 | M16/M20 24/30 | 65 | 245 | 5 | 90 | 103 | 242 | 65 | 186 | 133 | 256 | 74 | 78 | 110 | 233 | 133 | 410 | 319 | 563 |