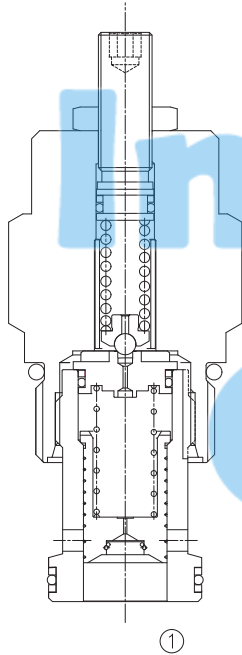


LPSRV2 - 16

先导式溢流阀

Adjustable, Pilot-Operated Cartridge Relief Valve



OPERATION

The valve prevents flow from ① to ② until pressure at ① exceeds the set crack pressure and opens the pilot section. The pilot flow creates a pressure differential across the spool which causes the valve to open allowing flow from ① or ② protecting the circuit from over pressurization.

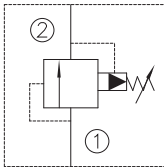
阀体①口和②口不通，直到①口压力超过设定压力且打开先导阀芯。这样，先导阀芯引起主阀芯两端压力差的变化，压力差达到一定时，①口和②口互通。

FEATURES

特性

- Fast response to pressure surges. 迅速响应压力变化。
- Hardened parts for long life. 长寿命的阀。
- Adjustment may be locked in place. 调节杆可被锁定住。
- Industry common cavity. 工业通用插孔。
- Compact size. 紧凑的结构。

SYMBOL



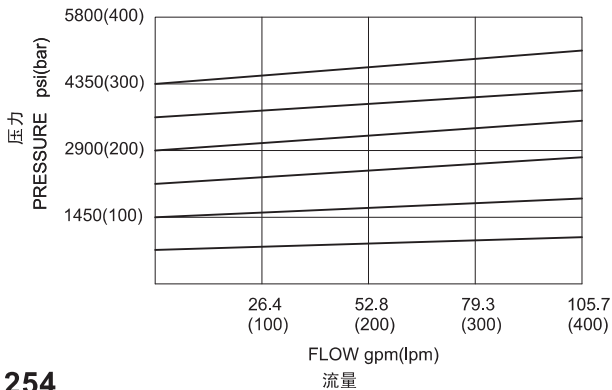
SPECIFICATIONS

技术参数

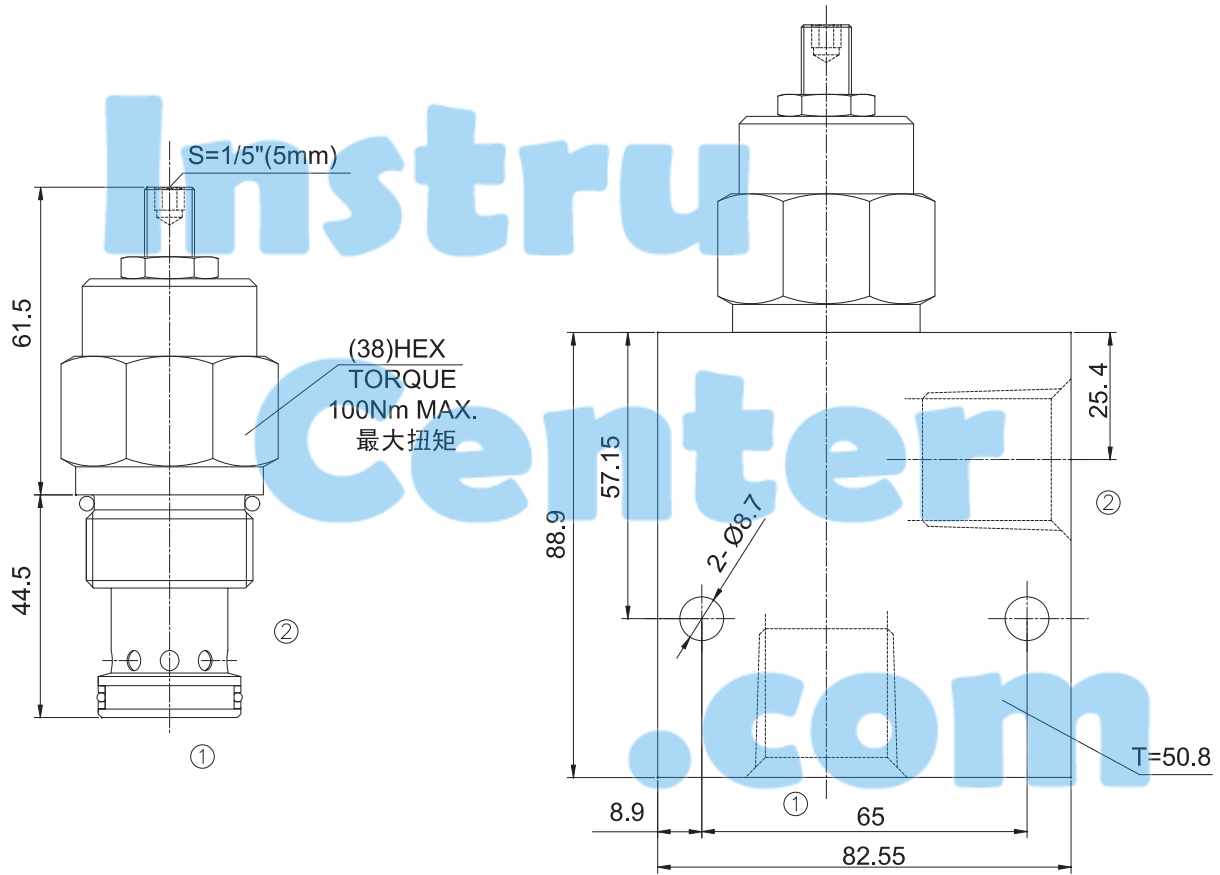
- Max. Operating Pressure (最大工作压力):** 420Bar
- Flow (流量):** See PRESSURE DROP VS. FLOW graph.
- Internal Leakage(内泄漏):** 82cc /min. MAX.to 80% of nominal setting
- Reseat Pressure:** Nominal 85% of crack pressure
[crack(set) pressure at 0.95lpm/0.25gpm]
- Spring Ranges (弹簧调压范围):**
10-210bar(145-3000psi); 10-420bar(145-6000psi);
- Temperature(温度):** -22°F to +250°F (-30°C to +120°C)
- Recommended Filtration (推荐的过滤网):** ISO 19/15
- Fluids(流体):** Mineral-based fluids.
For other fluid compatibility consult factory.
- Cavity (插孔):** 16-2, see page 404
- Body Material (阀块材料):** Steel rated at 350 Bar.
钢材允许使用最大压力350 Bar.

PRESSURE DROP VS. FLOW

150 ssu/46 cSt oil @ 100°F/38°C



INSTALLATION DIMENSIONS



Unit=Millimeters

TO ORDER

