

## LFC-10

### 单向节流阀

#### Adjustable, Cartridge Flow Control Valve

##### OPERATION

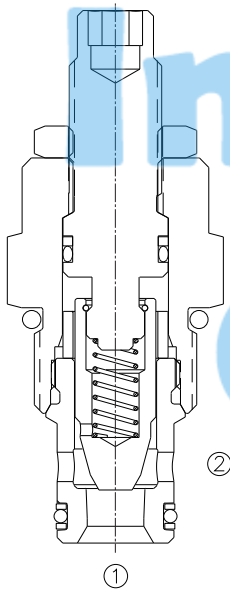
The valve varies flow restriction by adjusting needle in or out. Flow is metered from ② to ①. Free reverse flow is from ① to ②.

节流阀流量大小可通过调节螺杆来实现。②到①节流，①到②开启。

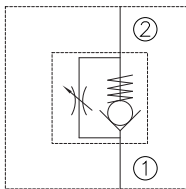
##### FEATURES

###### 特性

- Hardened poppet and seat for long life. 长寿命的阀。
- Full range of adjustments. 调节范围大。
- Adjustment may be locked in place. 调压杆可锁定住。
- Industry common cavity. 工业通用插孔。
- Compact size. 紧凑的结构。



##### SYMBOL



##### SPECIFICATIONS

###### 技术参数

**Operating Pressure** (最大工作压力): 250Bar

**Flow** (流量): See PRESSURE DROP VS. FLOW graph

**Internal Leakage** (内泄漏): 3 drops/min. max. at 250 Bar

**Temperature** (温度): -22°F to +250°F (-30°C to +120°C)

**Recommended Filtration** (推荐的过滤网): ISO 19/15

**Fluids** (流体): Mineral-based fluids.

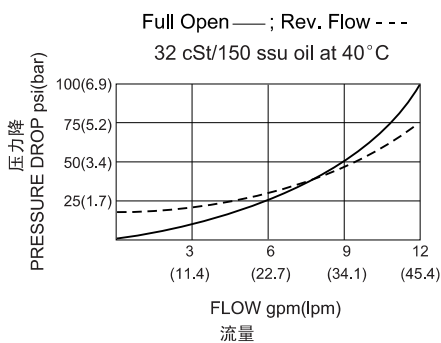
For other fluid compatibility, consult factory.

**Cavity** (插孔): 10-2, see page 403

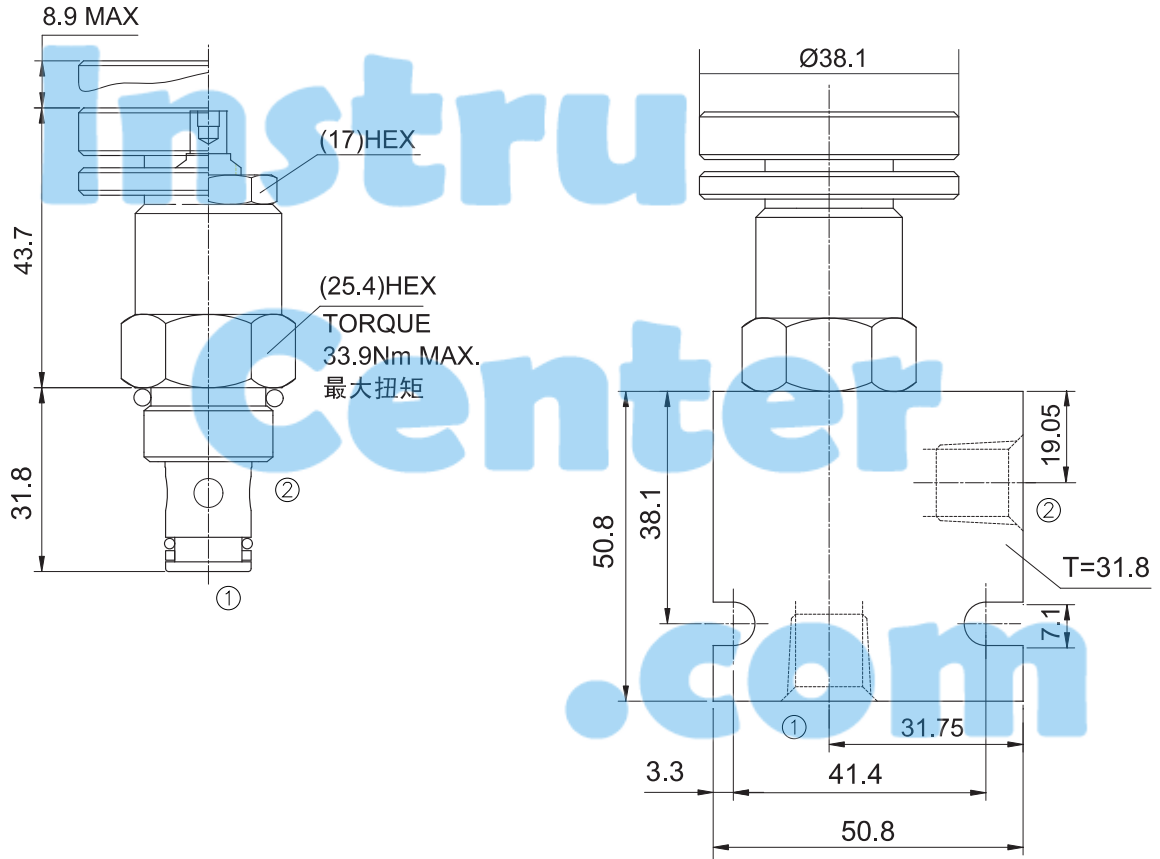
**Body Material** (阀块材料): Anodized 6061T6 aluminum alloy rated at 207 Bar.

6061-T6, 允许使用最大压力207Bar.

##### PRESSURE DROP VS. FLOW



INSTALLATION DIMENSIONS



Unit=Millimeters

TO ORDER

