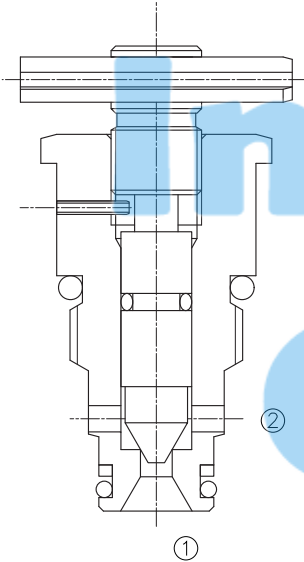


# LS-08 针阀 可截止型



## Adjustable, Cartridge Shut off Valve

### OPERATION

The valve varies flow restriction by adjusting needle in or out and will shut off when fully closed. This valve will meter flow in either direction. 节流阀流量大小或关闭可通过调节螺杆来实现。

### FEATURES

#### 特性

- Hardened seat for long life. 长寿命的阀。
- Zero leakage available at shut-off. 关闭时，可零泄漏。
- Full range of adjustments. 调节范围大。
- Positive shut-off. 可完全关闭。
- Industry common cavity. 工业通用插孔。
- Compact size. 紧凑的结构。

### SPECIFICATIONS

#### 技术参数

**Operating Pressure (工作压力):** 250 Bar

**Flow (流量):** See FLOW CHARACTERISTICS chart

**Internal Leakage (内泄漏):**

zero drops/min. max. at 207 Bar at shut-off.

**Temperature(温度):** -22°F to +250°F (-30°C to +120°C)

**Recommended Filtration (推荐的过滤网):** ISO 19/15

**Fluids (流体):** Mineral-based fluids.

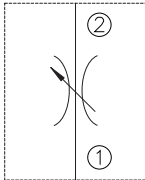
For other fluid compatibility, consult factory.

**Cavity (插孔):** 08-2, see page 402

**Body Material (阀块材料):** Anodized 6061T6 aluminum alloy rated at 207 Bar.

6061-T6, 允许使用最大压力207Bar.

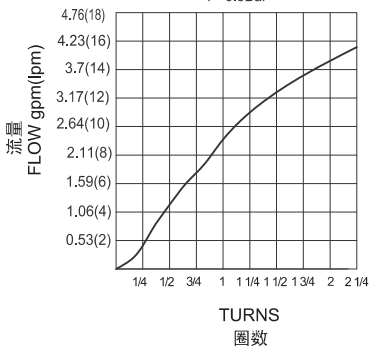
### SYMBOL



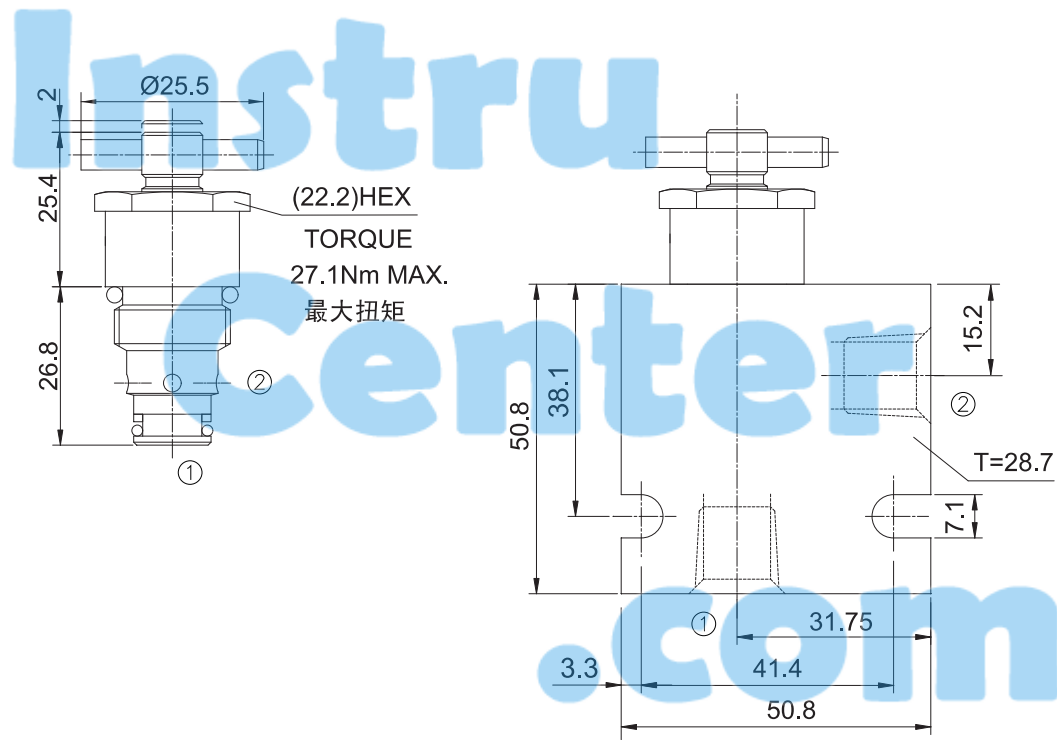
### FLOW CHARACTERISTICS

150 ssu/32 cSt OIL @ 100°F./38°C.

ΔP=5.5Bar



INSTALLATION DIMENSIONS



Unit=Millimeters

O ORDER

