

ILCV2000-G12

管式单向阀

Direct-Acting, Poppet-Type Check Valve In-line

OPERATION

When pressure at ① rises above the spring bias pressure, the poppet is lifted and flow allowed from ① to ②. The valve is closed (checked) from ② to ①.

当在 ① 口的压力超过开启压力, ① 到 ② 开启; 反方向, ② 到 ① 关闭;

FEATURES

特性

- Hardened poppet and seat for long life. 长寿命的阀。
- Low leakage. 低泄漏。
- Compact size. 紧凑的结构。

SPECIFICATIONS

技术参数

Max. Pressure (最大压力) : 350Bar

Flow (流量) : SEE PRESSURE DROP VS.FLOW graph.

Internal Leakage (内泄漏) : 3 drops/min max at 350bar

Crack Pressures (开启压力) : <0.5 bar

Temperature (温度) : -22°F to +250°F(-30°C to +120°C)

Fluid (流体): Mineral-based fluids.

For other fluid compatibility, consult factory.

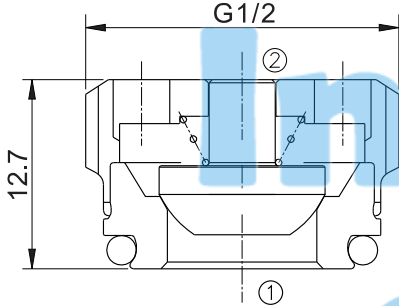
Body Material (阀块材料) : Anodized 6061T6 aluminum

Alloy rated at 207 bar

6061T6,允许使用最大压力207 bar;

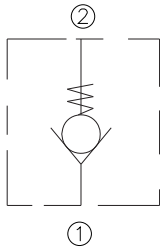
Steel rated at 350 bar.

钢材允许使用最大压力350 bar。



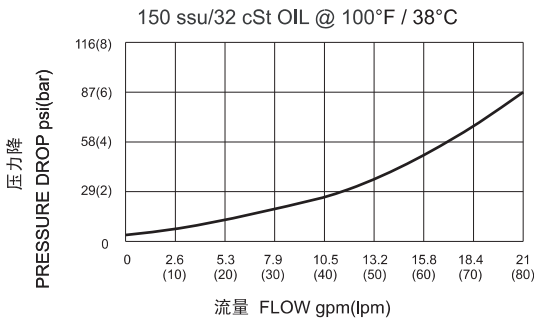
安装扭矩 10NmMax

SYMBOL



Unit=Millimeters

PRESSURE DROP VS. FLOW



ILCV2000-G12 TOOL

