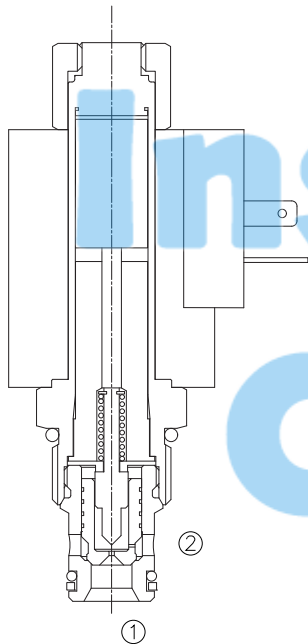


# LSV2-10-2 NOP

## 二位二通电磁阀常开，锥阀型

### Normally-Open, Two-Way, Two-Position, Poppet Type Cartridge Solenoid Valve



#### OPERATION

When de-energized, the valve allows flow from ② to ①, flow from ① to ② is severely restricted in this mode.

When energized, the valve is poppet closes on its seat, blocking flow in the ② to ① direction. The cartridge will allow ① to ② flow after overcoming the solenoid force.

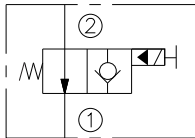
当电磁铁不通电时，② 到①通，①到②严重节流；

当电磁铁通电时，② 到①不通，当在①口压力克服电磁力，①到②开启。

**Operation of Manual Override Option:** To override, push button in to activate. To return to normal valve function, release button.

推进按钮，②到①关闭；释放按钮，返回到常态。

#### SYMBOL



#### FEATURES

##### 特性

- Continuous-duty solenoid. 可持续工作的电磁铁。
- Hardened poppet and plunger for long life. 长寿命的阀。
- Efficient wet-armature construction. 高效能的电磁铁结构。
- Optional coil voltages and terminations. 可选择的线圈电压和终端
- Filter screen standard. 标准的过滤网。
- Industry common cavity. 工业通用插孔。
- Compact size. 紧凑的结构。

#### SPECIFICATIONS

##### 技术参数

**Max. Operating Pressure (最大工作压力):** 250Bar

**Flow (流量):** See PRESSURE DROP VS. FLOW graph.

**Internal Leakage (内泄漏):** 3 drops/min. max. at 250Bar.

**Temperature(温度):** -22°F to +250°F (-30°C to +120°C)

**Coil Rating (线圈电压范围):** Continuous from 90% to 110% of rated voltage.

**Recommended Filtration:** Critical Application-ISO 16/12  
(推荐的过滤网) Non-Critical Application-ISO 19/15

**Fluids (流体):** Mineral-based fluids.

For other fluid compatibility consult factory.

**Cavity (插孔):** 10-2, see page 403

**Body Material (阀块材料):** Anodized 6061T6 aluminum alloy rated at 207 Bar.

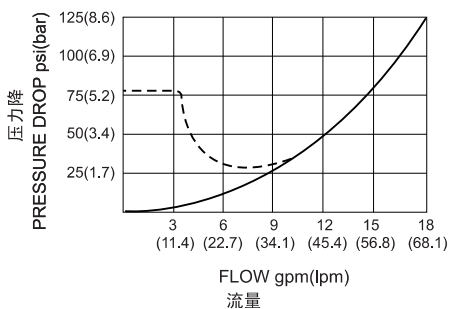
6061-T6铝，允许使用最大压力207Bar.

Steel rated at 350 Bar.

钢材允许使用最大压力350Bar.

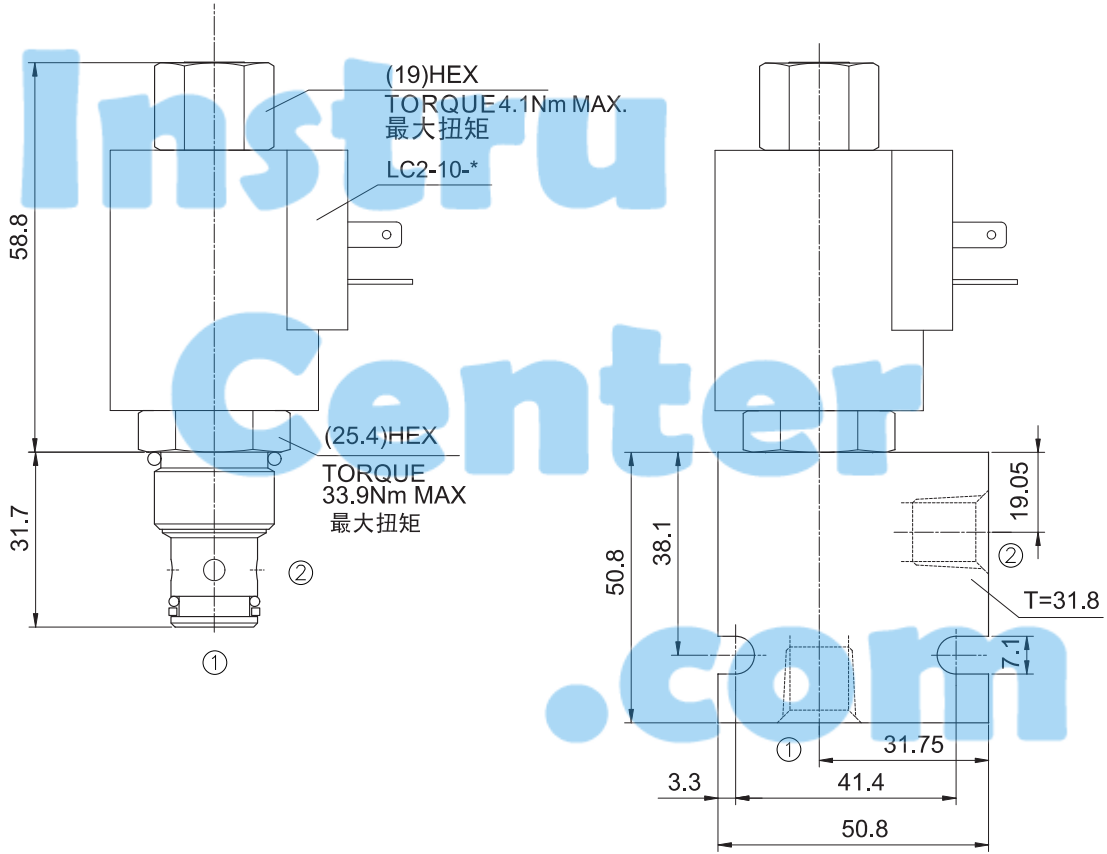
#### PRESSURE DROP VS. FLOW

② TO ① — (DE-ENERGIZED) 不通电  
① TO ② -- (ENERGIZED) 通电  
150 ssu/32 cSt OIL @ 100°F./38°C.



**INSTALLATION DIMENSIONS**

COIL MUST BE INSTALLED WITH LETTER UP  
 安装线圈时, 字母必须朝上



Unit=Millimeters

**TO ORDER**

LSV2 - 10 - 2 NO P - \* - \*\* - \*\*

