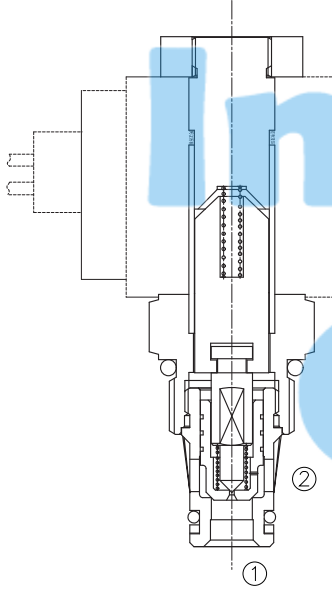


LSV2-08-2 NCP

二位二通电磁阀 常闭型

Normally-Closed, Two-Way, Two-Position, Pilot-Operated Cartridge Solenoid Valve



OPERATION

When de-energized, the valve acts as a check valve, allowing flow from ① to ②, while blocking flow from ② to ①.

When energized, the poppet lifts to open the ② to ① flow path.

当电磁铁不通电时，①到②相当于单向阀，②到①关闭；

当电磁铁通电时，②到①开启。

Operation of Manual Override Option: To override, push button in, twist counterclockwise and release. In this position, the valve will remain open.

To return to normal operation, push button in, twist clockwise and release. Override will be detented in this position.

先推进按钮，然后逆时针方向旋转，释放。此时阀口打开；

返回到常态推进按钮，然后顺时针方向旋转，释放。

旋钮将被固定在这位置。

FEATURES

特性

- 250Bar rating. 250Bar工作压力范围。
- Continuous-duty solenoid. 可持续工作的电磁铁。
- Efficient wet-armature construction. 高效能的电磁铁结构。
- Optional coil voltages and terminations. 可选择的线圈电压和终端。
- Filter screen standard. 标准的过滤网
- Manual override option. 可带手动卸荷。
- Industry common cavity. 工业通用插孔。
- Compact size. 紧凑的结构。

SPECIFICATIONS

技术参数

Max. Operating Pressure (最大工作压力): 250Bar

Flow (流量): See PRESSURE DROP VS. FLOW

Internal Leakage (内泄漏): 2 drops/min. Max at 207 Bar

Temperature(温度): -22°F to +250°F (-30°C to +120°C)

Coil Rating (线圈电压范围): Continuous from 90% to 110% of rated voltage.

Recommended Filtration: Critical Application-ISO 16/12

(推荐的过滤网) Non-Critical Application-ISO 19/15

Fluids (流体): Mineral-based fluids.

For other fluid compatibility consult factory.

Cavity (插孔): 08-2, 08S-2, see page 402

Body Material (阀块材料): Anodized 6061T6 aluminum

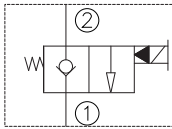
alloy rated at 207 Bar.

6061-T6铝，允许使用最大压力207Bar.

Steel rated at 350 Bar.

钢材允许使用最大压力350Bar.

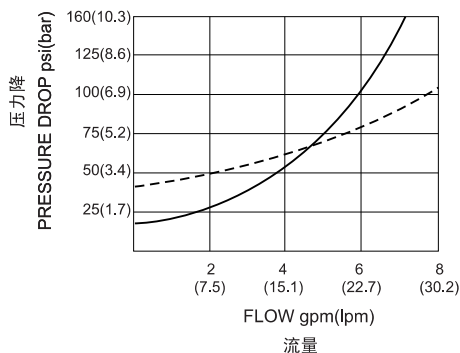
SYMBOL



PRESSURE DROP VS. FLOW

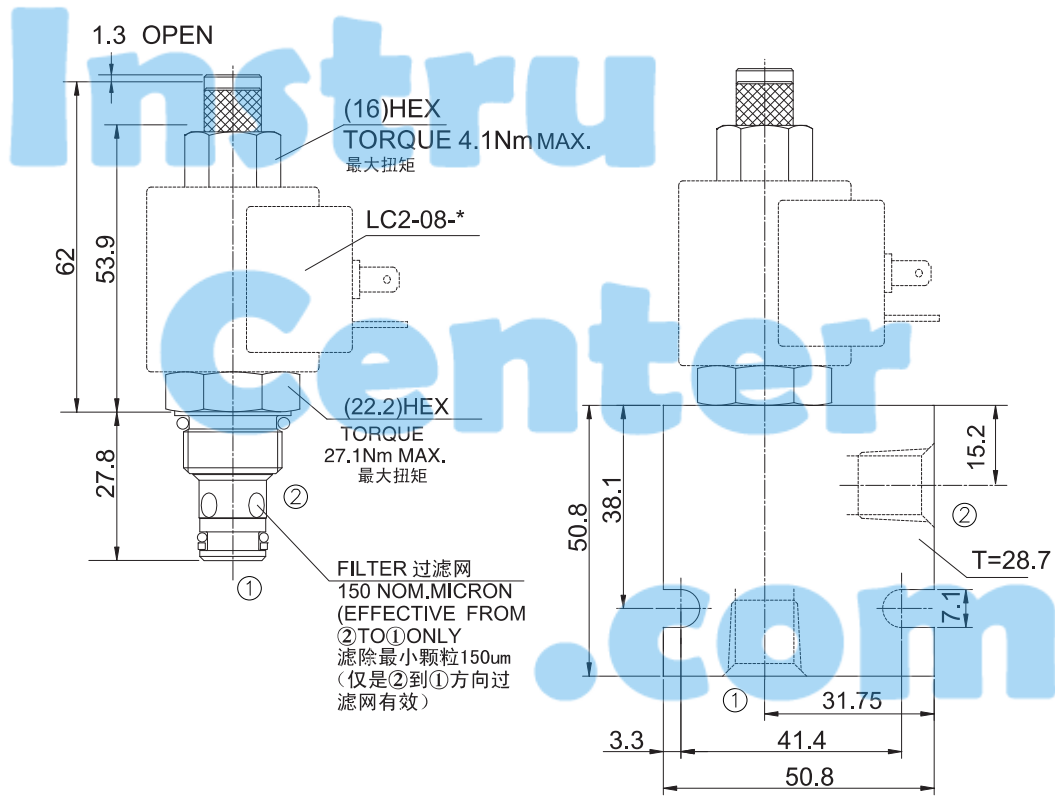
② to ① — ; ① TO ② - - -

150 ssu/32 cSt OIL @ 100°F./38°C.



INSTALLATION DIMENSIONS

COIL MUST BE INSTALLED WITH LETTER UP
 安装线圈时, 字母必须朝上



Unit=Millimeters

TO ORDER

LSV2 - 08 - 2 NC P - * - * * - * *

