

# Compact Monoblock Directional Control Valve

## MB20 Series



### Features

MB20 Series is a monoblock directional control valves entirely developed to perform equivalent basic function as MCD20. MB20 is very compact in size yet comes with all standard feature such as adjustable main relief valve, check valve, carry over circuit, and 2 mounting holes.

MB20 made of high strength cast iron. The spools are made of hardened and tempered steel with varieties of spool types and controls.

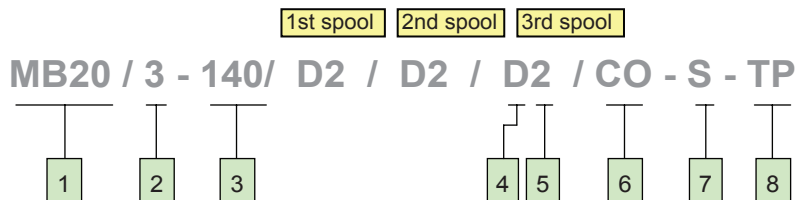


### Specification

	Nominal Flow L/min(USgpm)	Max. Pressure bar (psi)
MB20	45(12)	210(3000)

### Ordering Code

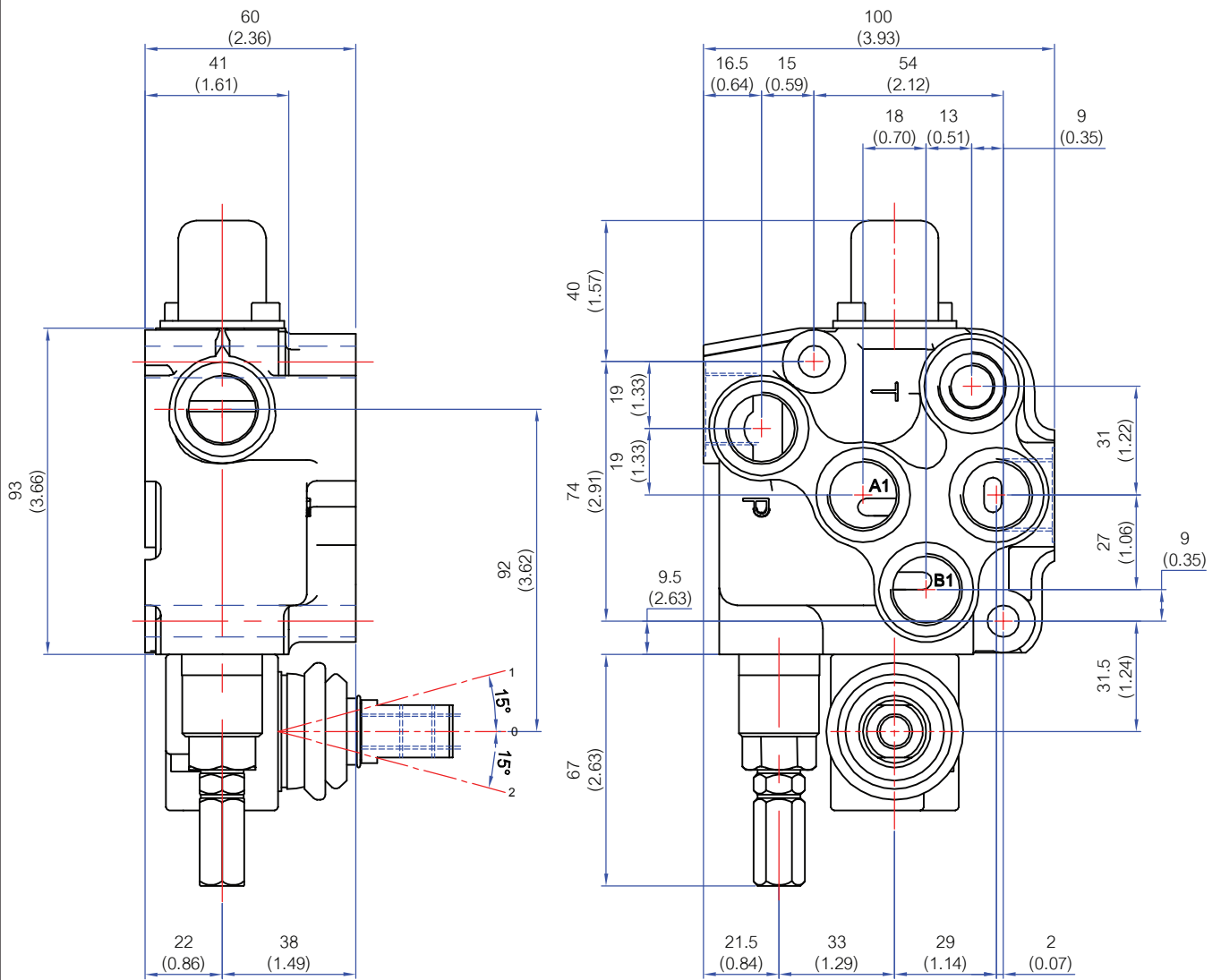
### MB20 Series



- 1** Model  
MB20
- 2** Number of Spool  
1 - 3
- 3** Relief Valve Setting  
no code - 210 bar  
- 140 bar
- 4** Spool Control  
no code - Spring return to center  
D - Detent in three positions  
I - Detent in two positions  
O - Detent out two positions
- 5** Spool Type  
no code or 1 - Double acting, 3 position with A and B  
(Type.1) closed in center (Cylinder spool)  
(Type.2) 2 - Double acting, 3 position with A and B  
to tank in center (Motor spool)  
(Type.3) 3 - Single acting on A, 3 position B plugged  
(Type.4) 4 - Single acting on B, 3 position A plugged
- 6** Circuit Option  
no code or OC - With open center plug  
CO - With carry over plug  
CC - With closed center plug
- 7** Port Thread
 

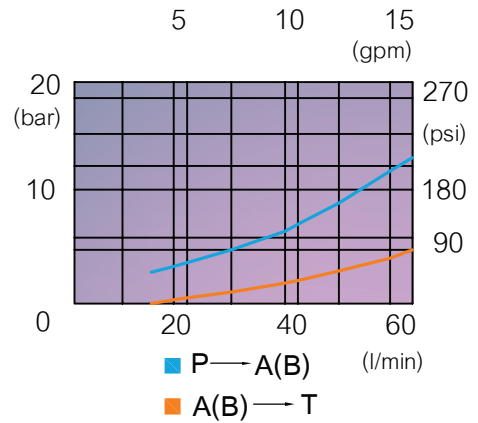
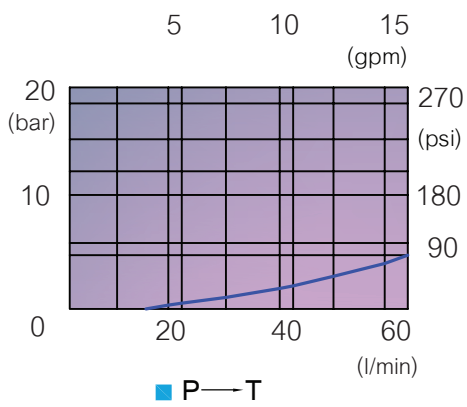
Code	Thread	Port A-B	Port P	Port T	Port CO
no code	BSP	3/8"	3/8"	3/8"	3/8"
S	SAE	SAE 8	SAE 8	SAE 8	SAE 8
- 8** Optional Port Connection  
no code - Port P and T at side with optional  
Port P and T plugged on top  
TP - Port P and T on top with optional  
Port P and T plugged at side

MB20/1



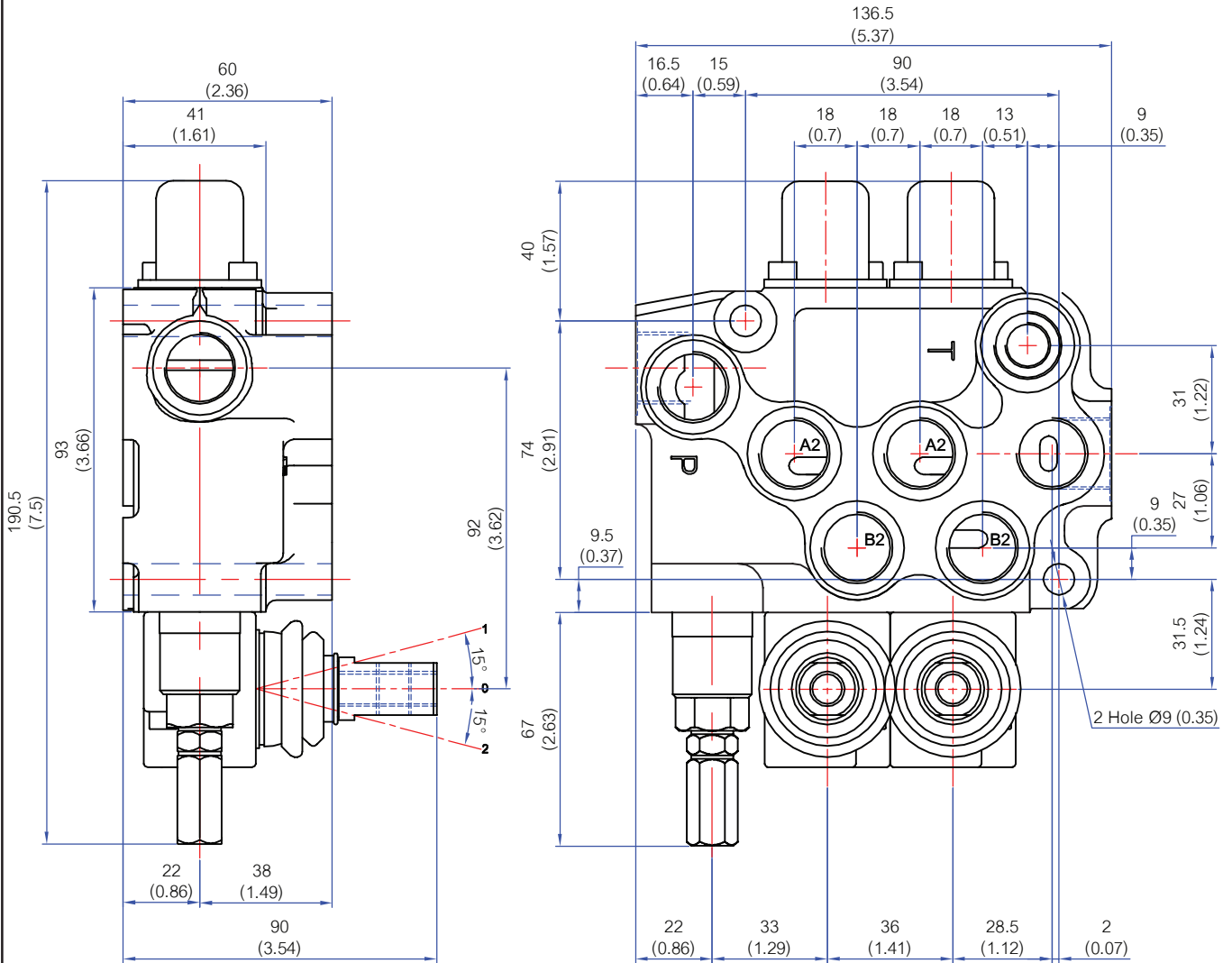
PRESSURE DROP

50° C-122°F 33mm<sup>2</sup>/s-150sus



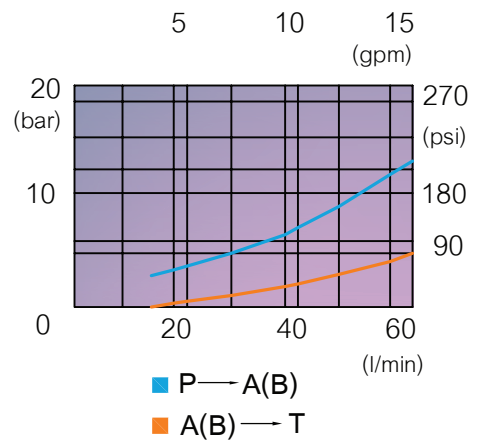
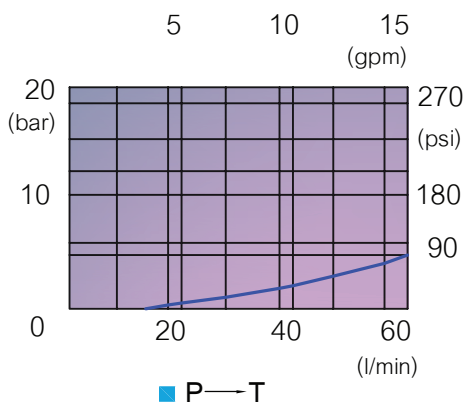
Weight: 3.0 kg (6.61 lb)

MB20/2



PRESSURE DROP

50° C-122°F 33mm/s-150sus



Weight: 4.5 kg (9.92 lb)