

KISTOCK DATALOGGER KT50 / KH50 for HVAC

Temperature / Humidity



KEY POINTS

- Configuration and data viewing software freely downloadable
- Configuration and data processing software available as option
- 16 000 measurement points
- Measure up to 2 parameters
- 2 configurable setpoint alarms
- 1 line LCD display
- Fast data download (1000 values/second)
- Magnetic mounting
- IP65 (KT50) and IP40 (KH50) housing

TECHNICAL FEATURES

	KT50	KH50
Units displayed	°C, °F	°C, °F, %RH
Resolution	0.1 °C, 0.1 °F	0.1 °C, 0.1 °F, 0.1%RH
External inputs	Micro USB connector	
Internal sensor	Temperature	Humidity, temperature
Setpoints alarms	2 setpoint alarms on each channel	
Frequency of measurement	From 1 min to 24 h	
Operating temperature	From -40 to +70 °C	From -20 to +70 °C
Storage temperature	From -40 to +85 °C	
Battery life	500 days*	365 days*

HOUSING

Dimensions

60 x 40 x 21.5 mm

Weight

40 g

Display

1 line LCD screen
Screen dimensions : 26.5 x 22.5 mm

Control

1 key : OK

Material

Compatible with food industry environment
ABS housing
Caps made of Elastomer

Protection rating

IP65 : KT50
IP40 : KH50

PC communication

1 micro USB input
Lacquer protected circuit board
Meets RoHS standards

Battery power supply

2 x CR2032

Environment

Air and neutral gases

* on the basis of 1 measurement each 15 minutes at 25 °C

TECHNICAL FEATURES

KT50

• INTERNAL SENSOR

Type of sensor	NTC
Measuring range	From -40 to +70 °C
Accuracy	±0.4 °C (-20 °C < T < +70 °C) ±0.8 °C (beyond)

TECHNICAL FEATURES

KH50

• THERMO-HYGROMETER

Type of sensor	Hygrometry	Temperature
	CMOS	
Measuring range	From 5 to 95 %RH	From -20 to +70 °C
Accuracy*	Accuracy** (Repeatability, linearity, hysteresis) : ±2%HR (from 15°C to 25°C) Factory calibration uncertainty : ±0,88 %HR Drift linked to the temperature : ±0.04 x (T-20) %HR (if T < 15°C or T > 25°C)	From -20 to 0°C : 2% of displayed value ±0,6 °C From 0 to 30 °C : 0,5 °C From 30 to 70 °C : 1,5% of displayed value
Response time (t _{0,63})	50 s (Vair = 2 m/s)	25 s (V = 2 m/s)

* All accuracies indicated in this document were stated in laboratory conditions and can be guaranteed for measurements carried out in the same conditions, or carried out with calibration compensation.

** As per as NFX 15-113 and the charter 2000/2001 Hygrometers, GAL (Guaranteed Accuracy Limit) which has been calculated with a coverage factor value of 2 is ±2,88%RH between 18 and 28°C on the measuring range from 5 to 95%RH. Sensor drift is less than 1%RH/year.

RECORDER FUNCTIONS

Recording modes

The KISTOCK allows to record the values measured instantaneously, it records the values according to a predefined interval. On the other hand, it is possible to operate continuously the KISTOCK thanks to a loop recording.

3 types of dataset start

The measurement dataset can be launched :

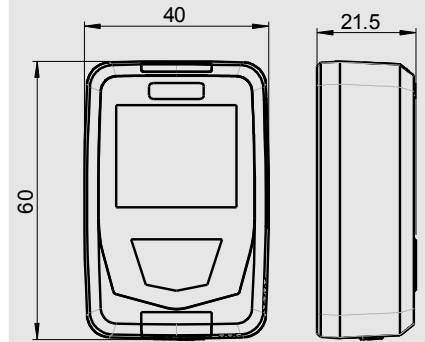
- with a delayed start (with predefined date and time)
- with the software
- with push-button

6 types of dataset stop

You can stop your dataset :

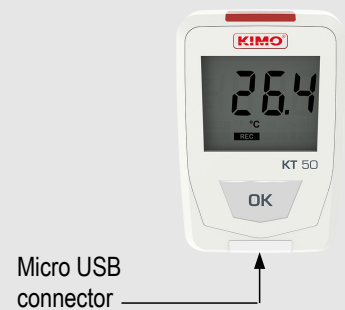
- According to a date and time (if it was started the same way)
- According to a recording duration
- According to a predefined number of recording points
- If the storage capacity of the memory is full
- With "Stop" option of the software
- By holding "OK" key for at least 5s, if this function has been previously activated by the software.

DIMENSIONS (mm)

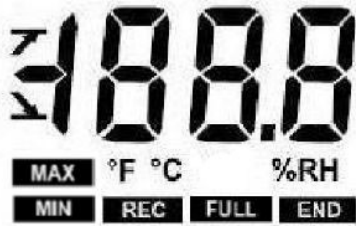


CONNECTIONS

PC connection input



SCREEN



°C.. Temperature in degrees Celsius
°F.. Temperature in degrees Fahrenheit
%RH..... Relative humidity (KH 50)

END Dataset is finished

REC Records the values at the moment when this indicator appears / flashing: the dataset has not yet started

FULL Slow flashing: dataset is taking 80-90% of storage capacity
Fast flashing: dataset is taking 90-100% of storage capacity
Constant: storage capacity filled up

MIN Displayed values correspond to maximum and minimum values of the channels

MAX



Alarm action type: rising or falling action

bAt flashing on the screen + flashing of LEDs : means that the battery must be changed

SOFTWARE

• Freely downloadable software on www.kimo.fr/kilog
KILOGLITE software allows to configure the datalogger, to view data and to save data in pdf file.



- **Configuration and data processing software**
KILOG software allows you to configure, save and process your data in a very simple way.
- Only software..... Ref. KILOG-N
- Complete set : Software + 1 interface..... Ref. KIC2-N



The software is compatible with the former range of KISTOCK.

• USB cable - micro USB

This cable allows you to connect your KISTOCK to your PC.
Ref. CK50

ACCESSORIES

- **Lace.** Ref. KDC
- **2 CR2032 batteries pack .** Ref. P2-50

CALIBRATION

KISTOCK dataloggers can be supplied with calibration certificate as an option.

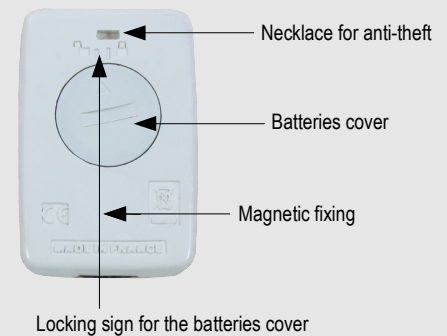
WARRANTY PERIOD

KISTOCK dataloggers have 1-year guarantee for any manufacturing defect (return to our After-Sales Services required).

MOUNTING

KISTOCK can be mounted in different ways, you can also move it or install it very easily.

- Magnetic mounting (cf. photo)
- Secured mounting



HOW TO CHANGE THE BATTERY

With 500 days* battery life, KISTOCK long-term measurements.

To change the battery :

- > Unlock the battery cover with a screwdriver or a coin.
- > Put the 2 batteries superimposing them (3 V CR2032 button batteries) with the + pole visible.
- > Put back the batteries cover : the sign of the the batteries cover must be placed in front of the opened padlock.
- > Turn right the batteries cover : the sign on the batteries cover must be placed in front of the closed padlock.

www.kimo.fr

Distributed by :



EXPORT DEPARTMENT

Tel : + 33. 1. 60. 06. 69. 25 - Fax : + 33. 1. 60. 06. 69. 29

e-mail : export@kimo.fr