

1/16 DIN On-Line 4-20mA transmitter

pH · ORP / Conductivity · TDS



4803P pH/ORP Transmitter



4803C Conductivity/TDS Transmitter

Features

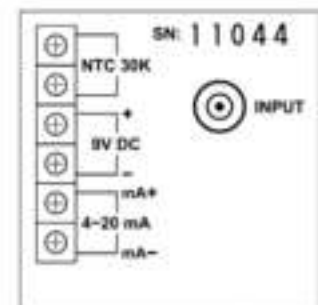
- Compact 1/16 DIN size fits into standard industry panel cutouts.
- Microprocessor based for fast, reliable and accurate measurements.
- Easy to calibrate by one keyboard.
- The large backlight LCD display Readings and Temperature simultaneously.
- Optional NEMA-4X gasket lens cover fits over front bezel of controller-made of watertight corrosion resistant ABS plastic.

Specifications

4803P	pH	ORP	Temp.
Range	-2.00~16.00 pH	-1999 ~ -200 mV -199.9 ~ -499.9 mV 500 ~ 1999 mV	0~110 °C
Accuracy	±0.01+1 digit	±2+1 digit	±0.2+1 digit
Resolution	0.01 pH	0.1/1 mV	0.1 °C
Compensation	ATC: 0~100 °C	N/A	

4803C	Conductivity	TDS	Temp.
Range	0.0~ 199.9 µS 200~ 1999 µS 2.00~ 19.99 mS 20.0~ 100.0 mS	0.0~131.9 ppm 132~1319 ppm 1.32~13.19 ppt 13.2~66.7.0 ppt	0~110 °C
Accuracy	±2% FS	±2% FS	±0.2+1 digit
Resolution	0.1/1µS/0.01/0.1 mS	0.1/1ppm/0.01/0.1ppt	0.1 °C
Compensation	ATC: 0~50 °C	ATC: 0~50 °C	

Temperature Compensation	4803P: ATC (0-100 °C) via 30K Thermistor or MTC 4803C: ATC (0-50 °C) via 30K Thermistor or MTC
Output	4-20mA isolated current output
Signal output load	500 Ω
Power supply	9V DC
Panel Cutout	1/16th DIN 1.81 x 1.81" (46 x 46mm)
Meter Dimensions	4.7 x 1.77 x 1.77" (105 x 45 x 45mm)



Real Panel Connection

Standard Accessories

- 9V DC/AC(100~240V) adaptor
- Adapter connection wire
- Optional: NEMA-4X gasketed lens cover



NEMA-4X cover

شرکت صائین

WWW.SAENCO.COM

021 88936611

