

# MCD

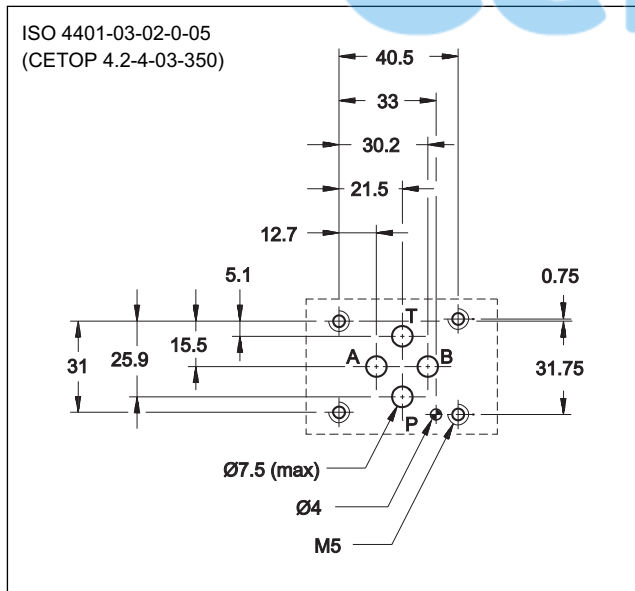
## DIRECT OPERATED PRESSURE RELIEF VALVE

### SERIES 51

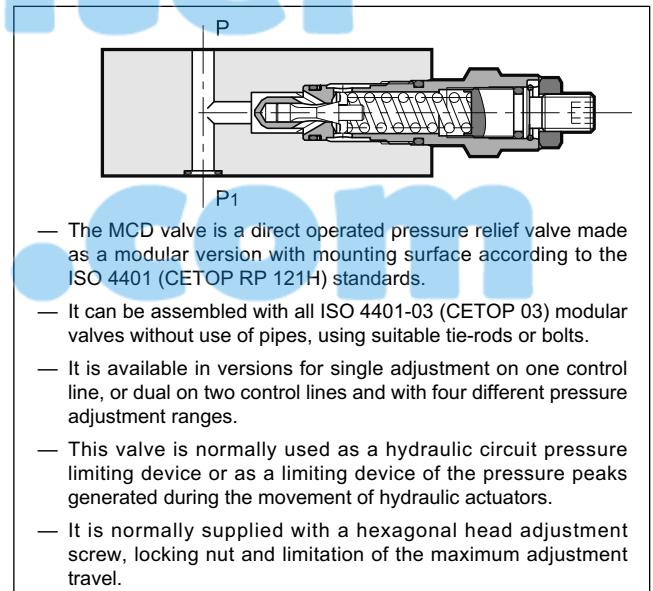
#### MODULAR VERSION ISO 4401-03 (CETOP 03)

**p** max 350 bar  
**Q** max (see table of performances)

#### MOUNTING INTERFACE



#### OPERATING PRINCIPLE



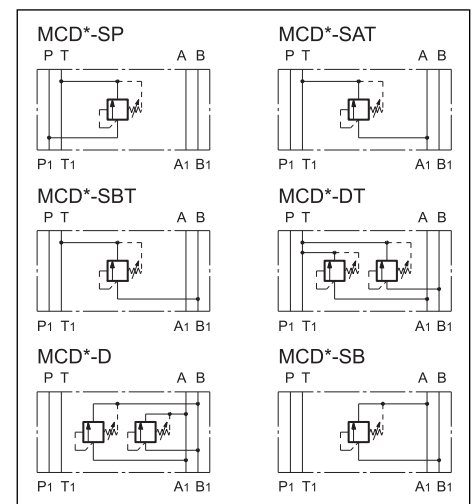
#### CONFIGURATIONS (see hydraulic symbols table)

- “SP”: controls the pressure on line P with discharge in T
- “SAT”: controls the pressure on line A with discharge in T
- “SBT”: controls the pressure on line B with discharge in T
- “DT”: controls the pressure on lines A-B with discharge in T
- “D”: controls the pressure on lines A-B with crossed discharges
- “SB”: controls the pressure on line B with discharge in A

#### PERFORMANCES (measured with mineral oil of viscosity 36cSt at 50°C)

Maximum operating pressure	bar	350
Minimum controlled pressure	see $\Delta p$ diagram	
Maximum flow rate in controlled lines	l/min	50
Maximum flow rate in the free lines		75
Ambient temperature range	°C	-20 / +50
Fluid temperature range	°C	-20 / +80
Fluid viscosity range	cSt	10 ÷ 400
Fluid contamination degree	According to ISO 4406:1999 class 20/18/15	
Recommended viscosity	cSt	25
Mass: MCD-SP / MCD-SAT / MCD-SBT / MCD-SB	kg	1,4
MCD-DT / MCD-D		2,0

#### HYDRAULIC SYMBOLS





# MCD

## SERIES 51

### 1 - IDENTIFICATION CODE

<b>M C D</b>	<b>-</b>	<b>/ 51</b>	<b>/</b>
--------------	----------	-------------	----------

Size: ISO 4401-03 (CETOP 03). Modular version

Direct operated pressure relief valve

Pressure adjustment range  
 2 = up to 25 bar      5 = up to 210 bar  
 3 = up to 70 bar      6 = up to 350 bar  
 4 = up to 140 bar

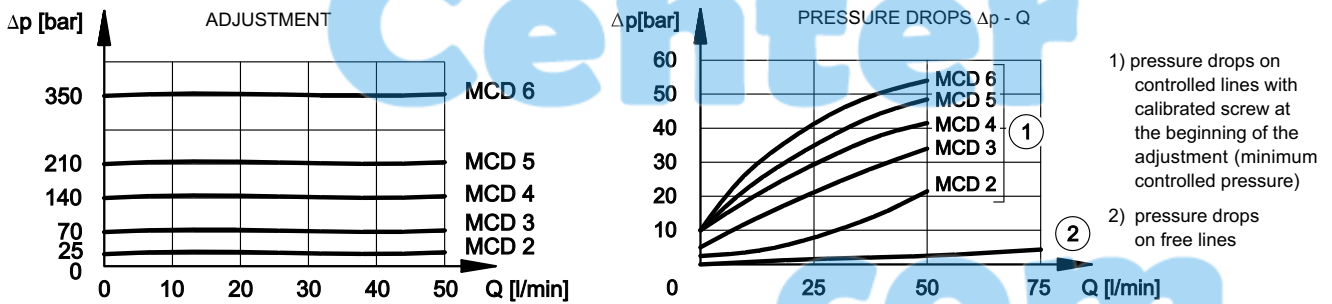
Omit for adjustment with countersunk hex screw - **standard**  
**K** = Adjustment knob

Seals:  
**N** = NBR seals for mineral oils (**standard**)  
**V** = FPM seals for special fluids

Series No. (the overall and mounting dimensions remain unchanged from 50 to 59)

Configurations:  
**SP**: single on line P with discharge in T  
**SAT**: single on line A with discharge in T  
**SBT**: single on line B with discharge in T  
**DT**: double on lines A-B with discharge in T  
**D**: double on lines A-B with crossed discharges  
**SB**: single on line B with discharge in A

### 2 - CHARACTERISTIC CURVES (values obtained with viscosity of 36 cSt at 50°C)



### 3 - HYDRAULIC FLUIDS

Use mineral oil-based hydraulic fluids HL or HM type, according to ISO 6743-4. For these fluids, use NBR seals. For fluids HFDR type (phosphate esters) use FPM seals (code V). For the use of other kinds of fluid such as HFA, HFB, HFC, please consult our technical department. Using fluids at temperatures higher than 80 °C causes a faster degradation of the fluid and of the seals characteristics.

The fluid must be preserved in its physical and chemical characteristics.

### 4 - OVERALL AND MOUNTING DIMENSIONS

dimensions in mm

1	Locking nut: spanner 19
2	Countersunk hex adjustment screw: spanner 6 ( <b>standard</b> ) Rotate clockwise to increase pressure
3	Mounting surface with sealing rings: 4 OR type 2037 (9.25x1.78) 90 Shore
4	Adjustment knob: K
5	Locking ring



**DIPLOMATIC OLEODINAMICA S.p.A.**  
 20015 PARABIAGO (MI) • Via M. Re Depaolini 24  
 Tel. +39 0331.895.111  
 Fax +39 0331.895.339  
 www.diplomatic.com • e-mail: sales.exp@diplomatic.com