

## High Pressure Double Vane Pump

### HT6GCC Series

HOF

#### Features

- HT6GCC Series is fixed displacement and balanced type double vane pumps. The pump is designed for higher load than HT6CM pump by having double row ball bearing with needle bearing and 2 shaft seals.
- Can be connected to PTO directly.



HT6GCC - 031 - 005 - 6 R 00 - 00

1

2

3

4

5

6

7

**1** Model Series  
HT6GCC

**2** Shaft End Pump  
Ring Size (USgpm)  
HT6GCC - 003, 005, 006, 008, 010, 012, 014,  
017, 020, 022, 025, 028, 031

**3** Cover End Pump  
Ring Size (USgpm)  
HT6GCC - 003, 005, 006, 008, 010, 012, 014  
017, 020, 022, 025, 028, 031

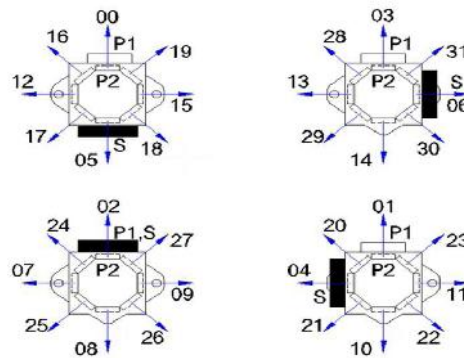
**4** Shaft  
6 - Splined (DIN 5462)

**5** Shaft Rotation  
(Viewed from shaft end)

- R - Turn right
- L - Turn left

**6** Port position  
(Viewed from cover end)

2 digit code presents the position of cover end outlet (P2) at various position of shaft end outlet (P1) and inlet (S)

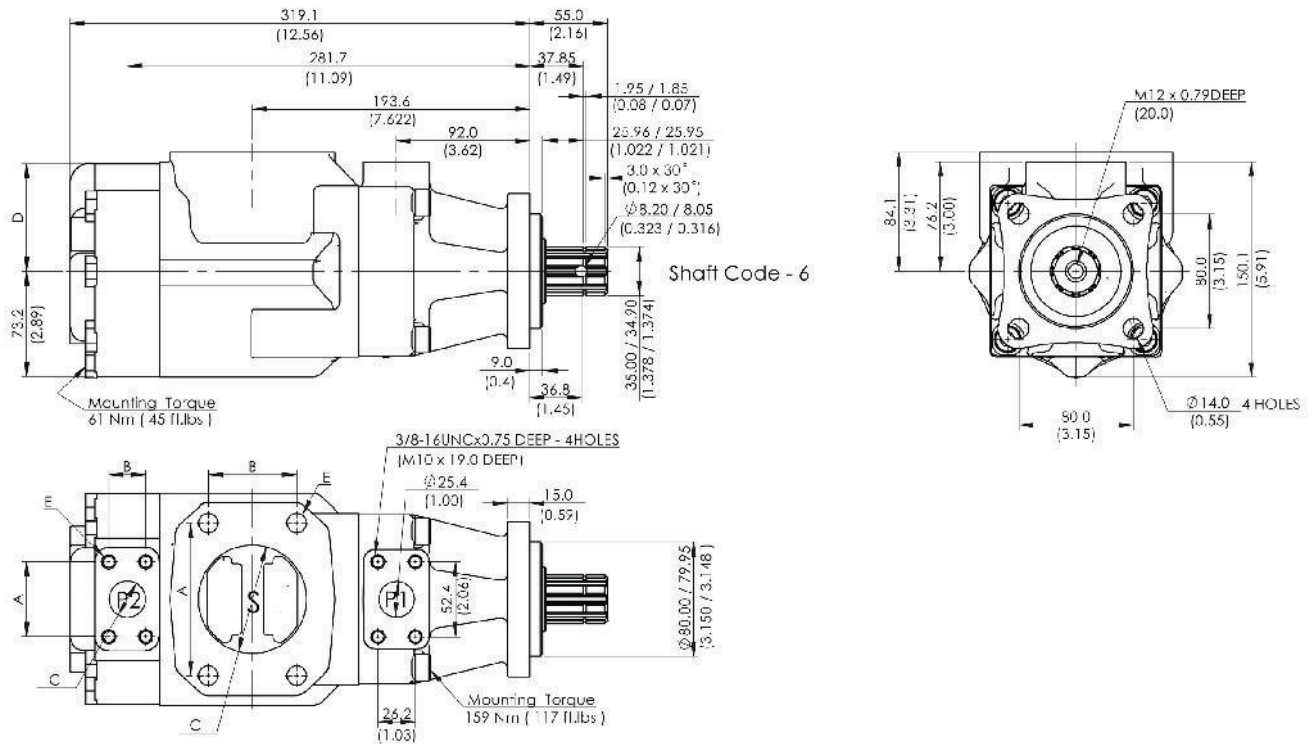


**7** Port Connection

CODE		4 bolt SAE flanges		
UNC	METRIC	P1	P2	S
00	0M	1"	1"	3"
01	M0	1"	3/4"	3"
10	1M	1"	1"	2"1/2"
11	M1	1"	3/4"	2"1/2"

Specifications and Installation Dimensions mm (inch)

HT6GCC



PORT	A	B	C	D	E
S	106.4 (4.19)	61.9 (2.44)	Ø 76.2 (3.00)		5/8" - 11 UNC x 1.12 DEEP (M16 x 28.4 DEEP)
S	88.9 (3.50)	50.8 (2.00)	Ø 63.5 (2.50)		1/2" - 13 UNC x 0.94 DEEP (M12 x 24.0 DEEP)
P2	47.7 (1.88)	22.2 (0.88)	Ø 19.0 (0.75)	76.2 (3.00)	3/8" - 16 UNC x 0.75 DEEP (M10 x 19.0 DEEP)
P2	52.4 (2.06)	26.2 (1.03)	Ø 25.4 (1.00)	74.7 (3.94)	

Size	Shaft End Pump				Cover End Pump				Max Speed rpm	Weight kg (lb)
	Displacement cm <sup>3</sup> /r (in <sup>3</sup> /r)	Max	Max	Size	Displacement cm <sup>3</sup> /r (in <sup>3</sup> /r)	Max	Max			
		Intermittent	Continuous			Intermittent	Continuous			
		Pressure	Pressure			Pressure	Pressure			
	bar (psi)	bar (psi)		bar (psi)	bar (psi)					
003	10.8 (0.66)	280 (4000)	240 (3500)	003	10.8 (0.66)	280 (4000)	240 (3500)	2800	28 (61.7)	
005	17.2 (1.05)			005	17.2 (1.05)					
006	21.3 (1.30)			006	21.3 (1.30)					
008	26.4 (1.61)			008	26.4 (1.61)					
010	34.1 (2.08)			010	34.1 (2.08)					
012	37.1 (2.26)			012	37.1 (2.26)					
014	46.0 (2.81)			014	46.0 (2.81)					
017	58.3 (3.56)			017	58.3 (3.56)					
020	63.8 (3.89)			020	63.8 (3.89)					
022	70.3 (4.29)			022	70.3 (4.29)					
025	79.3 (4.84)	025	79.3 (4.84)							
028	88.8 (5.42)	210 (3000)	160 (2300)	028	88.8 (5.42)	210 (3000)	160 (2300)	2500		
031	100.0 (6.10)			031	100.0 (6.10)					

\* Performance Characteristics same as HT6C, HT6CC \*