

CHM5

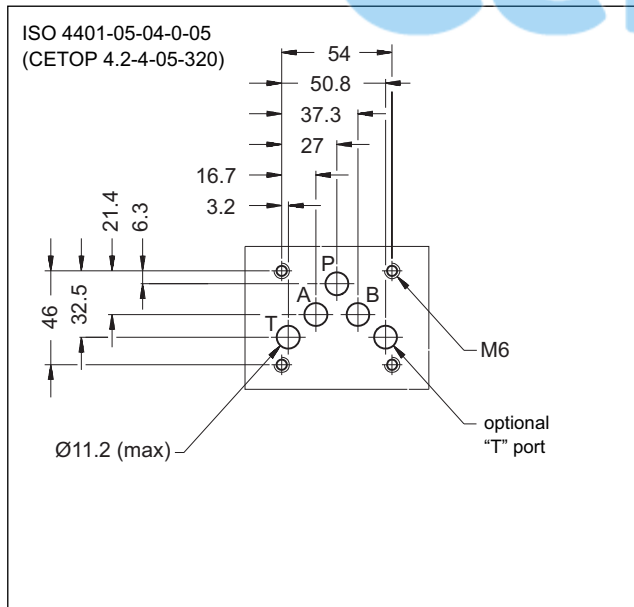
PILOT OPERATED CHECK VALVE

SERIES 10

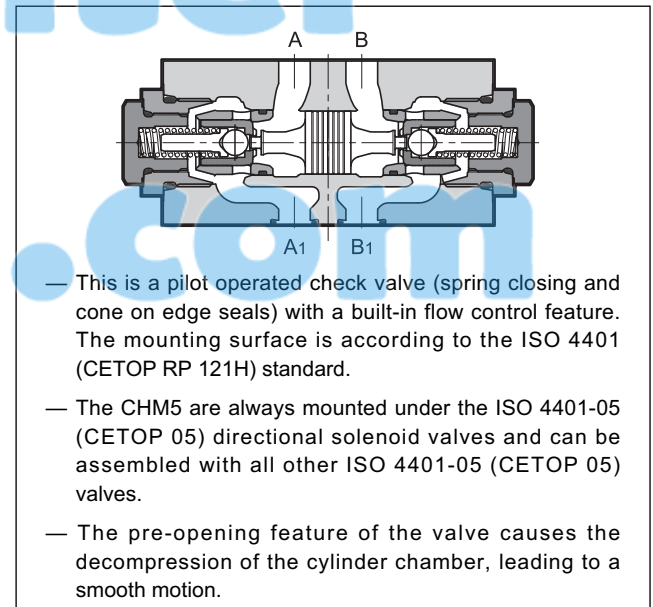
MODULAR VERSION
ISO 4401-05 (CETOP 05)

p max 320 bar
Q max 120 l/min

MOUNTING INTERFACE



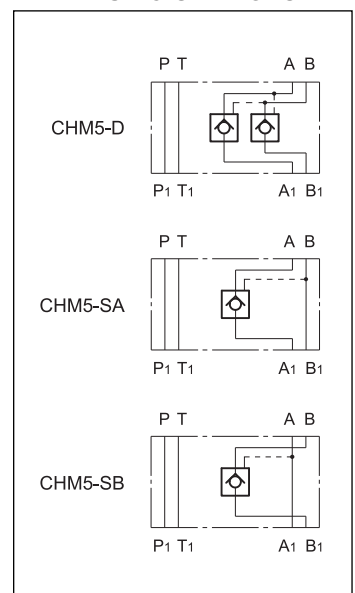
OPERATING PRINCIPLE



PERFORMANCES (measured with mineral oil of viscosity 36cSt at 50°C)

Maximum operating pressure	bar	320
Maximum flow rate	l/min	120
Decompression ratio		14,9:1
Piloting ratio		2,3:1
Check valve cracking pressure	bar	2
Ambient temperature range	°C	-20 / +50
Fluid temperature range	°C	-20 / +80
Fluid viscosity range	cSt	10 ÷ 400
Recommended viscosity	cSt	25
Fluid contamination degree		According to ISO 4406:1999 class 20/18/15
Mass: CHM5-D	kg	2,2
CHM5-SA e CHM5-SB		1,9

HYDRAULIC SYMBOLS





CHM5

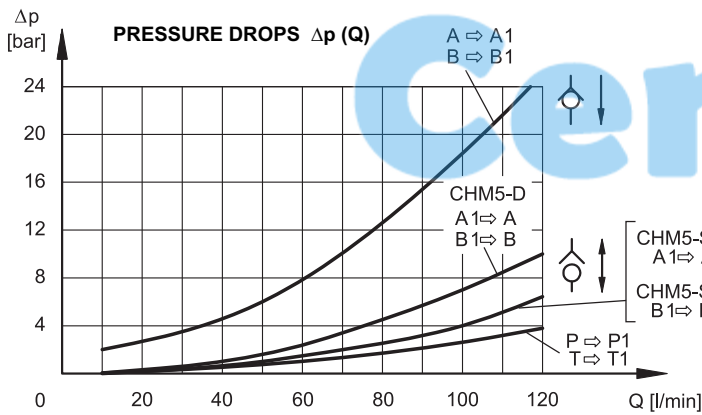
SERIES 40

1 - IDENTIFICATION CODE

	C	H	M	5	-	/	10	
--	----------	----------	----------	----------	----------	----------	-----------	--

Pilot operated check valve —————> C
 Modular version —————> H
 ISO 4401-05 (CETOP 05) size —————> M5
 Seals:
N = NBR seals for mineral oil (**standard**)
V = FPM seals for special fluids
 Series No. (the overall and mounting dimensions remain unchanged from 10 to 19)
 Configurations: **D** = seal on both A and B lines
SA = seal on line B of the actuator
SB = seal on line B of the actuator

2 - CHARACTERISTIC CURVES (obtained with viscosity of 36 cSt at 50°C)



3 - HYDRAULIC FLUIDS

Use mineral oil-based hydraulic fluids HL or HM type, according to ISO 6743-4. For these fluids, use NBR seals. For fluids HFDR type (phosphate esters) use FPM seals (code V).

For the use of other kinds of fluid such as HFA, HFB, HFC, please consult our technical department.

Using fluids at temperatures higher than 80 °C causes a faster degradation of the fluid and of the seals characteristics. The fluid must be preserved in its physical and chemical characteristics.

4 - OVERALL AND MOUNTING DIMENSIONS

dimensions in mm

Top view: Pmax 320 bar

Right view: 50, 25, 39.5, 70, 73.2, ①

Bottom view: 12, 119.4 (CMH5-SB), 18.5, 91, 119.4 (CMH5-SA), 125 (CHM5-D)

1	Mounting surface with sealing rings: 5 OR type 2050 (12.42x1.78) -90 Shore
---	---



DIPLOMATiC OLEODiNAMiCA S.p.A.
 20015 PARABIAGO (MI) • Via M. Re Depaolini 24
 Tel. +39 0331.895.111
 Fax +39 0331.895.339
 www.diplomatic.com • e-mail: sales.exp@diplomatic.com